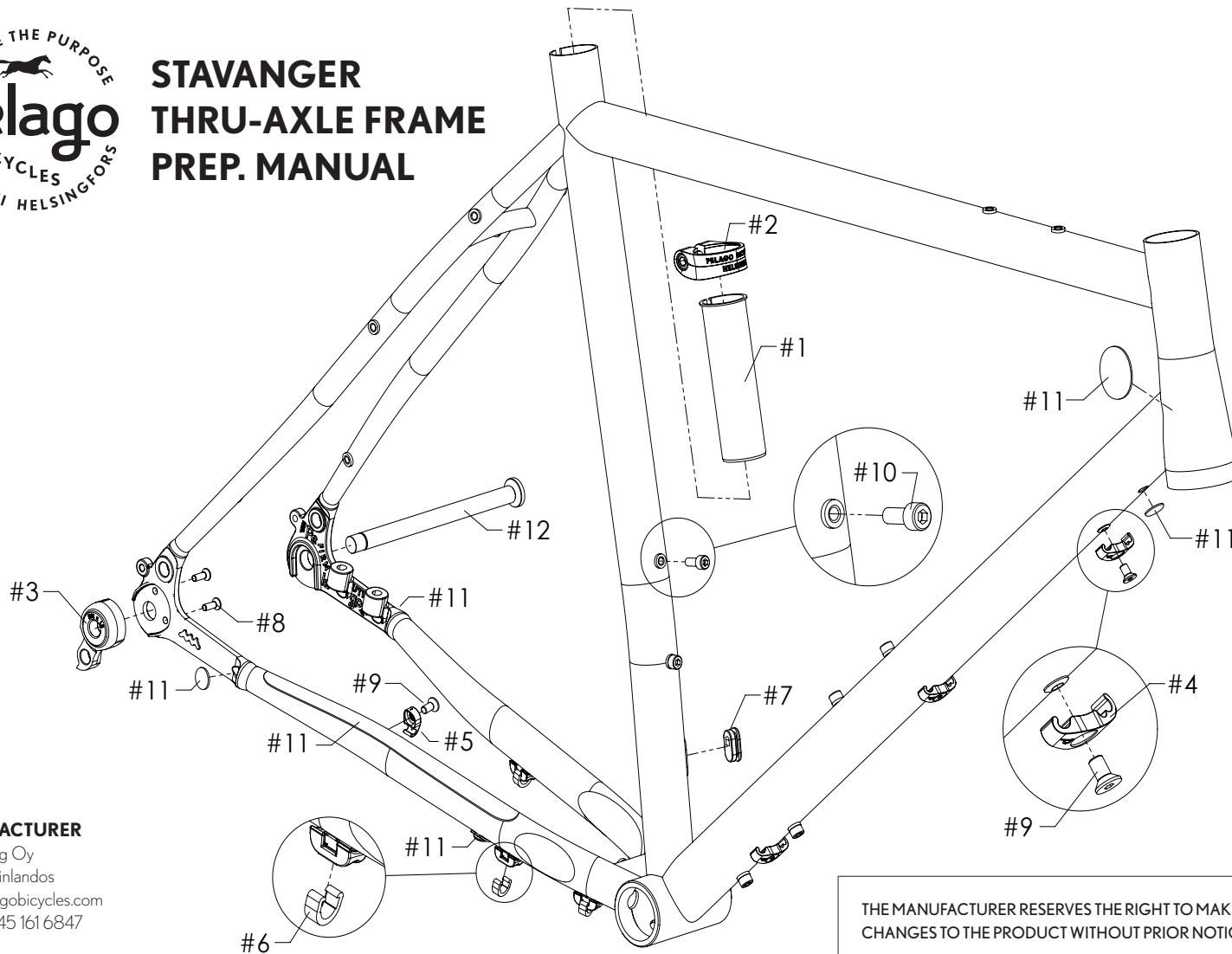




STAVANGER THRU-AXLE FRAME PREP. MANUAL



FRAME PARTS LIST

#	Part name	Q'ty	#	Part name	Q'ty
1	Seat tube shim	1	7	Dropper post plug	1
2	Seat clamp	1	8	M4x12 D. hanger screw	2
3	Derailleur hanger	1	9	M5x10 cable clip screw	4
4	Cable clip 2x4+5 mm	3	10	M5x12 screw	16
5	Cable clip 4 mm	1	11	Silicone Sticker(set)	1
6	C-cable clip	4	12	12x142 Thru-axle	1

! TIGHTENING TORQUES

CABLE CLIPS	1-1.5 Nm
BOTTLE CAGE/ CARRIER	5-6.5 Nm
SEATPOST CLAMP	6-12 Nm
REAR DERAILLEUR (SHIMANO)	8-9.5 Nm
FRONT DERAILLEUR (SHIMANO)	5-6.5 Nm
BOTTOM BRACKET (SHIMANO)	35-50 Nm
BRAKE CALIPER (SHIMANO)	6-8 Nm

ALWAYS TIGHTEN FASTENERS TO THE CORRECT TORQUE

! WARRANTY

Warranty of a Pelago product applies only to total product failure or breakage

Any other damage resulting from scratches, rust, improper mounting or deformation are excluded from the warranty

Only the original owner of the product is entitled to make a warranty claim.

! WEIGHT LIMITS

Rider	125 kg
Load front/rear	15/25 kg
Rider+Load Total	130 kg

DO NOT EXCEED THE WEIGHT LIMITS

Liability arising from errors or mistakes is not accepted. Pelago reserves the right to any changes without prior notice.

MANUFACTURER

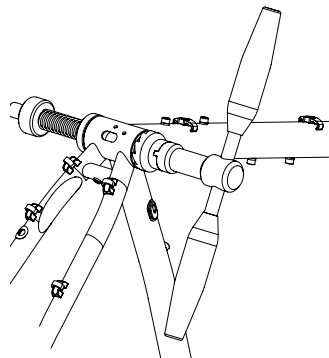
Pelago Mfg Oy
Helsinki, Finlandos
info@pelagobicycles.com
Tel +358 45 161 6847

THE MANUFACTURER RESERVES THE RIGHT TO MAKE ANY CHANGES TO THE PRODUCT WITHOUT PRIOR NOTICE.

1. BOTTOM BRACKET

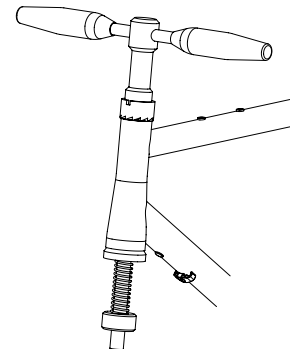
BB threads must be always prepared before installation of the bottom bracket. The BB shell will always have some excess paint after the painting process. Threads may also need realignment from manufacturing process. For further advice turn to your local professional bike mechanic.

THREAD SIZE: 1.37INX24TPI (BSA)
RIGHT SIDE: COUNTER-CLOCKWISE
LEFT SIDE: CLOCKWISE



2. HEAD TUBE

To make the headset and steering work smoothly, the bearing races must be aligned. During the manufacturing process, the welding may cause the head tube ends to become uneven or deformed. For the best result and longevity we highly recommend to re-machine the head tube faces. For further advice turn to your local professional bike mechanic.

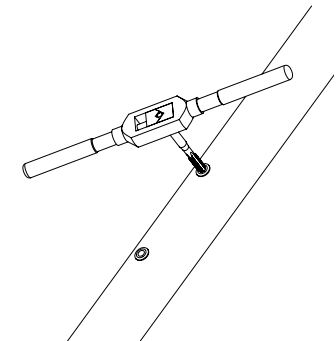


3. SCREW THREADS

The threads will always have some excess paint after the painting process and must be always prepared with correct tapping tool before mounting the screws. For further advice turn to your local professional bike mechanic.

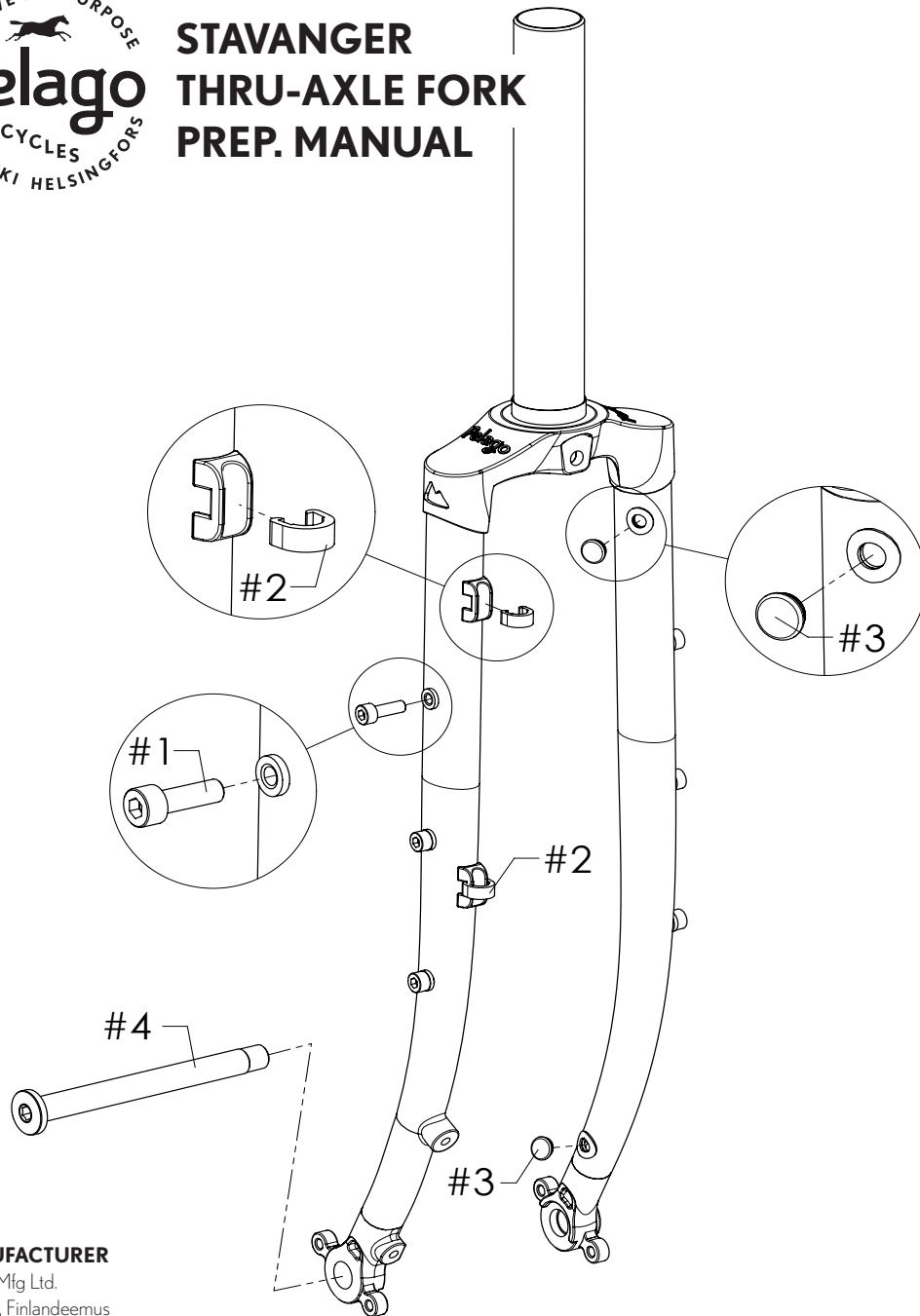


THREAD TOOL SIZE: M5X0.8





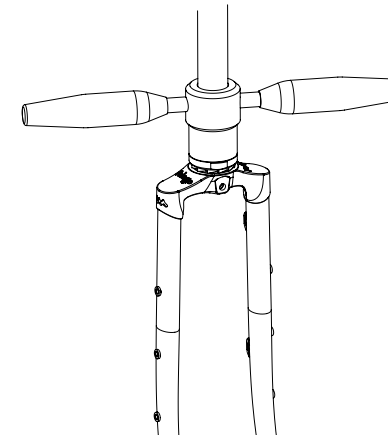
STAVANGER THRU-AXLE FORK PREP. MANUAL



MANUFACTURER
Pelago Mfg Ltd.
Helsinki, Finlandeemus
info@pelagobicycles.com
Tel +358 45 161 6847

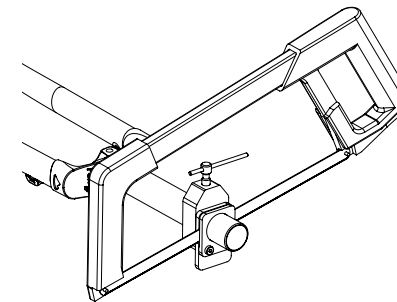
1. CROWN RACE REAMING

To make the headset and steering work smoothly, the crown race must be cut. Manufacturing process may cause the crown race to become uneven or deformed. For the best result and longevity we highly recommend to re-machine the crown race. For further advice turn to your local professional bike mechanic.



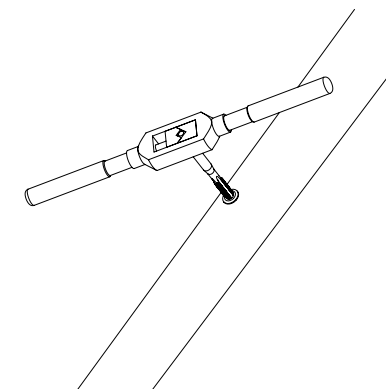
2. STEERER TUBE CUTTING

First off you need to determine how high you want to mount the handlebar. Once you have figured the correct length, mark the cutting spot by using marker. Use saw guide to cut the steering column in straight line. For further advice turn to your local professional bike mechanic.



3. SCREW THREADS

The threads will always have some excess paint after the painting process and must be always prepared with correct tapping tool before mounting the screws. For further advice turn to your local professional bike mechanic.



THREAD TOOL SIZE: M5X0.8

FORK PARTS LIST

#	Part name	Q'ty
1	M5x12 screw	6
2	C-cable clip	2
3	Cable hole plug	2
4	12x100 Thru-axle	1

! WARRANTY

Warranty of a Pelago product applies only to total product failure or breakage.

Any other damage resulting from scratches, rust, improper mounting or deformation are excluded from the warranty.

Only the original owner of the product is entitled to make a warranty claim.

! WEIGHT LIMITS

Rider	125 kg
Load front/rear	15/25 kg
Rider+Load Total	130 kg

DO NOT EXCEED THE WEIGHT LIMITS

Liability arising from errors or mistakes is not accepted. Pelago reserves the right to any changes without prior notice.

! TIGHTENING TORQUES

CARRIER/LOW RIDER	5-6.5 Nm
BRAKE CALIPER (SHIMANO)	6-8 Nm

ALWAYS TIGHTEN FASTENERS TO THE CORRECT TORQUE

THE MANUFACTURER RESERVES THE RIGHT TO MAKE ANY CHANGES TO THE PRODUCT WITHOUT PRIOR NOTICE.